



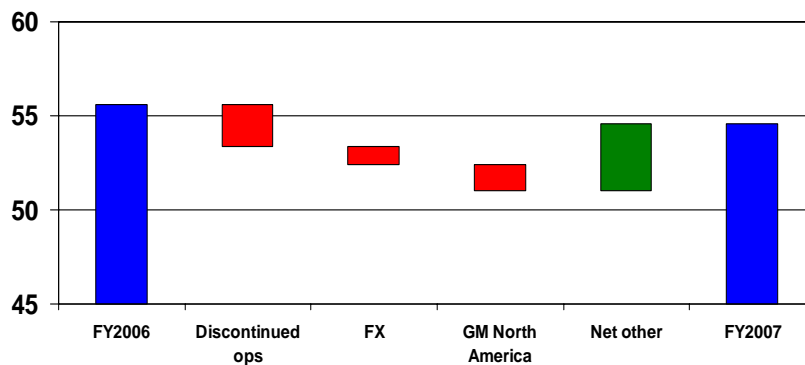
FY2007 Annual Results Presentation

Gary Martin – Chief Executive Officer
Peter Adams – Chief Financial Officer

FY2007 Full Year Results

\$'M	Reported AIFRS FY2007	Normal AIFRS FY2006	Sale & Leaseback transaction	Reported AIFRS FY2006
Sales Revenue	54.6	55.6		55.6
Gross margin	37.1	38.1		38.1
EBITDA	23.1	25.8	2.3	28.1
NPAT	15.3	16.5	1.6	18.1
<i>Gross margin %</i>	68	69		69
<i>EBITDA %</i>	43	46		51
<i>NPAT %</i>	28	30		33

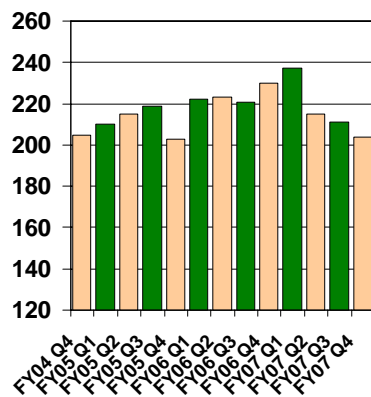
Sales revenue analysis (\$M)



FY2007 Full Year Sales

\$'M	2007	2006	Variance
Sales excluding Ford Europe, GM North America & Business Systems	42.1	38.7	3.4
Ford Europe, GM North America & Business Systems sales	12.5	16.9	(4.4)
Reported Sales	54.6	55.6	(1.0)
<i>Growth in Sales ex Ford Europe, GM North America & Business Systems</i>			
	8.8%		

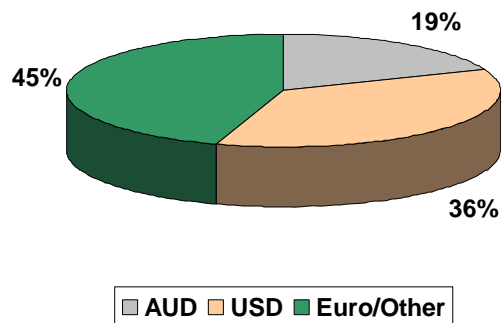
Group Head Count



- Completed FY2007 year at 204
- Sale of Business systems in Q2
- Some of the recent Q4 head count to be replaced

Foreign Currency Exposures

Estimated future revenue currency mix



FY2007 Half-year split

\$'M	1 st Half	2 nd Half	Reported FY2007
Sales Revenue	27.7	26.9	54.6
Gross margin	18.6	18.5	37.1
EBITDA	11.7	11.9	23.6
NPAT	7.8	7.5	15.3
<i>GM split</i>	<i>50.1</i>	<i>49.9</i>	<i>100%</i>
<i>EBITDA split</i>	<i>49.6</i>	<i>50.4</i>	<i>100%</i>
<i>NPAT split</i>	<i>51.0</i>	<i>49.0</i>	<i>100%</i>

FY2007: Strong Balance Sheet

\$M:	2007	2006
Cash	15.7	26.0
Net trade receivables	6.9	6.8
Property, plant and equipment	2.8	4.1
Intangibles including R&D	17.1	17.4
Debt	-	(0.5)
Other net liabilities	(9.6)	(12.0)
Net Assets	32.9	41.8

Note: dividend payments in FY2007 = 24.4

FY2007 Dividends

Final dividend	2.1 cents
Interim dividend	1.9 cents
Total	4.0 cents
Payout ratio	85%
Payment date	27 September 2007



Infomedia[®]



Infomedia[®]

Delivering into the Strategy

- Return to the core
- Increase Passenger Vehicle OEM's
- Continued expansion of Superservice Menus
- Introduce products into new segments
- Strategic cooperation
- Expand data creation opportunities
- Develop further products & service into the footprint
- Maintain watching brief on related segments



Microcat
electronic parts selling system

Microcat
MARKET
ONLINE PARTS ORDERING SYSTEM

Microcat
LIVE
ONLINE PARTS SELLING SYSTEM

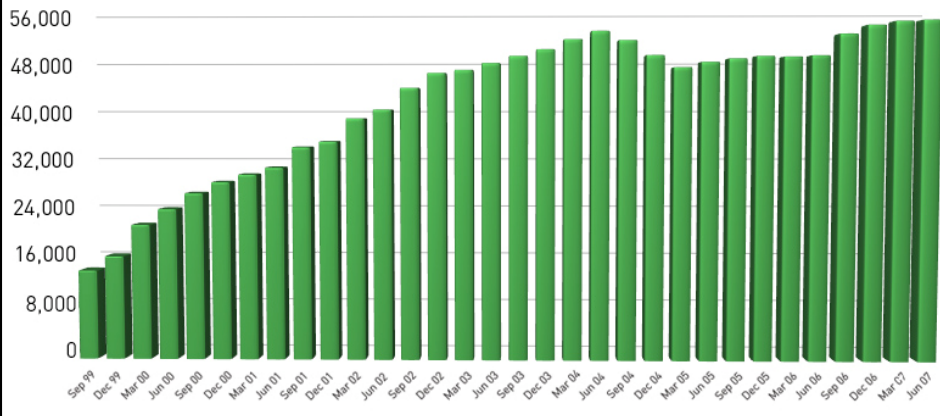
Partfinder
electronic parts catalogue

Superservice Menus

auto partsbridge
Genuine Parts. Genuine Satisfaction.



EPC Subscription History



Microcat
electronic parts selling system

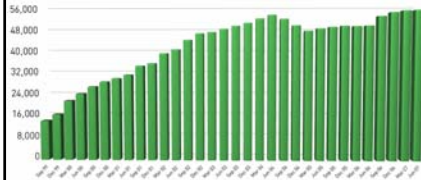
Microcat
LIVE
ONLINE PARTS SELLING SYSTEM

Partfinder
electronic parts catalogue

- FY07
 - Data License Renewals
 - New global customer KIA

- FY08
 - General Motors decline
 - Continued organic growth

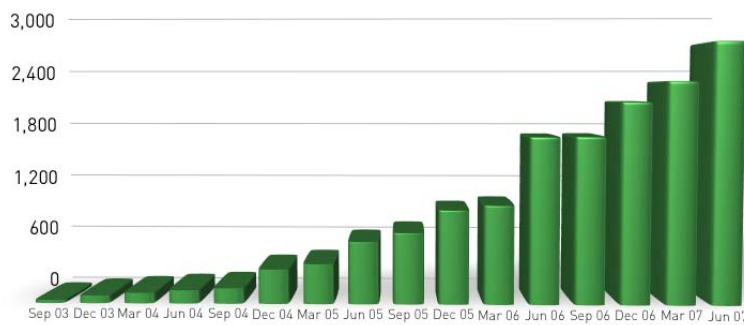
EPC Subscription History



- FY09
 - Continue positive growth

Superservice Menu

SSM Subscription History



Superservice Menu

- FY06 ~ Solid Performance
- FY07 ~ Momentum Builds
- FY08 ~ Global Recognition




Genuine Parts. Genuine Satisfaction.



Marketplace challenges

- Collision parts = 40% of US parts sales
- Genuine part sales declining since 2000
- Downward trend expected to continue

The manufacturer challenge:
How to increase genuine parts sales

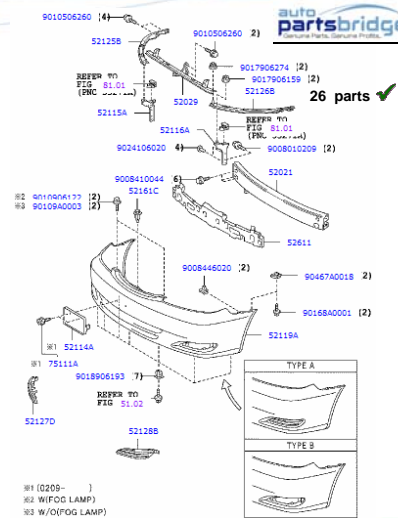
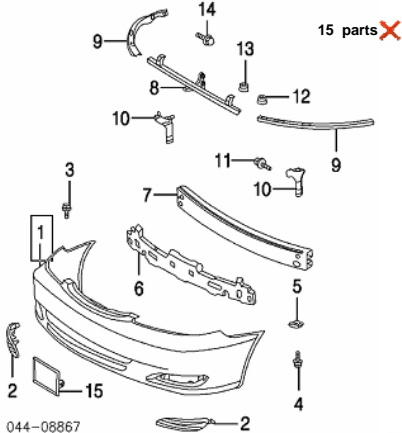


How APB meets the challenges

Dealer	Bodyshop
<ul style="list-style-type: none"> • Identify opportunities and capture sales • Direct link between body shops and dealers • Lowers operational costs 	<ul style="list-style-type: none"> • Increases visibility of parts required • Accurate parts data and estimates • Increased supply chain efficiencies

Parts Accuracy & Completeness

Typical Estimating System



Export estimate from estimating system

The screenshot shows a software window titled 'Estimates' with a menu open. The menu options include 'Send Estimate and New Images', 'Send Estimate', 'Send New Images', 'Send All Images', 'Get Messages/Transactions', 'BMS', 'Prepare CE File', 'Print CE Estimate', 'Export to Quickbooks - Customer Only', and 'Export to Quickbooks - Customer & Invoice'. The 'BMS' option is highlighted, and a sub-menu is visible with options: 'Export Administrative Data', 'Export Administrative Data change', 'Export Estimate', 'Email BMS & Images', 'View Export Log', and 'Import'. The main window displays customer information for 'JAMES GARFIELD' and a list of parts for repair, including 'Front Bumper - Bumper & Components' and 'Front Lamps - Signal Lamps'.

Estimating systems import

The screenshot shows a 'Preferences' dialog box with a tab labeled 'Estimating System'. The dialog contains a section titled 'Estimating Systems Export Folders' with the instruction: 'Please select which estimating systems you use and where exported estimates are located:'. There are four checked items, each with a text field and a browse button: 'Audatex' (C:\Estimate\Audatex), 'Comp-Est' (C:\ow95\Export), 'Mitchell' (C:\Estimate\Mitchell), and 'Pathways' (C:\Estimate\Pathways). The dialog also has 'Apply' and 'Close' buttons.

Body shop - List estimate content

Infomedia TMC Dealer | Estimate | Parts List | 12:11 | Order | Welcome, Lorenzo Paez Fast Repairs

Vehicle: Toyota Supra Build Date: 93 VIN: JT23AR1J0P0001451 Body Style: 3D Color: Red

Parts List

#	OEM P/N	Non-OEM P/N	Description	Intention Type	QTY	MSRP	Est. Price	Sell Price	Action
1	5211914917	TO1000135R	Replace Aftermarket BHR,FT,93-96 TOYOTA	AM	1	0.00	240.00	0.00	Quote
2	5261114120		Replace Front Energy absorber	OEM	1	0.00	55.47	0.00	Order
3	7685114060	7685114060	Replace Aftermarket TOYOTA SUPRA 93-98 F	AM	1	0.00	364.00	0.00	Quote
4	7685114020		Replace Right Front Lower retainer, side	OEM	1	0.00	39.93	0.00	Order
5	7685114020		Replace Left Front Lower retainer, side	OEM	1	0.00	39.93	0.00	Order
6	7685114030		Replace Right Front Upper retainer, side	OEM	1	0.00	45.94	0.00	Order
7	7685114030		Replace Left Front Upper retainer, side	OEM	1	0.00	45.96	0.00	Order
8	7685114010		Replace Front Upper retainer, center	OEM	1	0.00	86.85	0.00	Order
9	7685114040		Replace Front Lower retainer, center	OEM	1	0.00	72.79	0.00	Order
10	9017906143		Replace (2) Front Lower retainer, nut	OEM	1	0.00	1.40	0.00	Order
11	8151000095		Replace Right Front Signal lamp	OEM	1	0.00	45.40	0.00	Order
12	8152000095		Replace Left Front Signal lamp	OEM	1	0.00	45.40	0.00	Order
13	9017905088		Replace (2) Front Signal lamp, nut	OEM	1	0.00	1.26	0.00	Order
14	5330114340	T3266	Replace Aftermarket 93-97 HOOD	AM	1	0.00	2.00	0.00	Quote

MSRP Total: 0.00 Est Total: 1884.79 Sale Total: 0.00

Order Options: Allow Additional Parts

Body shop - Validate OEM parts

Infomedia TMC Dealer | Estimate | Parts List | 12:11 | Order | Welcome, Lorenzo Paez Fast Repairs

Vehicle: Toyota Supra Build Date: 93 VIN: JT23AR1J0P0001451 Body Style: 3D Color: Red

Invalid Parts

#	OEM P/N	Non-OEM P/N	Description	Intention Type	QTY	MSRP	Est. Price	View	Valid
1	5211914917	TO1000135R	Replace Aftermarket BHR,FT,93-96 TOYOTA	AM	1	0.00	240.00		
1	5211914917	TO1000135R	COVER, FRONT BUMPER	AM	1	311.00	240.00		
3	7685114060	7685114060	Replace Aftermarket TOYOTA SUPRA 93-98 F	AM	1	0.00	364.00		
3	7685114060	7685114060	COVER, FRONT SPOILER	AM	1	492.37	364.00		
10	9017906143		Replace (2) Front Lower retainer, nut	OEM	1	0.00	1.48		
10	9017906143		HARDWARE ITEM	OEM	1	0.74	1.48		
10	9017906143		HARDWARE ITEM	OEM	1	0.74	1.48		
10	9017906143		HARDWARE ITEM	OEM	1	0.74	1.48		
14	5330114340	T3266	Replace Aftermarket 93-97 HOOD	AM	1	0.00	2.00		
14	5330114340	T3266	HOOD SUB-ASSY	AM	1	768.20	2.00		

Valid Parts

#	OEM P/N	Non-OEM P/N	Description	Intention Type	QTY	MSRP	Est. Price	Sell Price	View	Action
2	5261114120		ABSORBER, FRONT BUMPER ENERGY	OEM	1	56.99	55.47	0.00		Order
4	7685114020		RETAINER, FRONT SPOILER, UPPER RH	OEM	1	40.44	39.93	0.00		Order
5	7685114020		RETAINER, FRONT SPOILER, UPPER LH	OEM	1	40.44	39.93	0.00		Order
6	7685114030		RETAINER, FRONT SPOILER SIDE, RH	OEM	1	46.56	45.94	0.00		Order
7	7685114030		RETAINER, FRONT SPOILER SIDE, LH	OEM	1	46.56	45.94	0.00		Order
8	7685114010		RETAINER, FRONT SPOILER, UPPER NO.3	OEM	1	86.00	86.85	0.00		Order

MSRP Total: 483.66 Est Total: 478.31 Sale Total: 0.00

Order Options: Allow Additional Parts 4/1 8:02 am

Body shop - Go to validated part

The screenshot shows the 'Part Search' interface in the Infomedica TMC Dealer software. The vehicle information is: Supra - JZ400 (NATO) (9003-9008) (291430), Build Date: 05/1993, VIN: JT2JAB1J0P0001451, License Plate: (5) Body. The selected part is (52.41) FRONT BUMPER and BUMPER STAY (9345-9684). The part search results table is empty. The part details for 'COVER, FRONT BUMPER' are shown below the table:

Description	Section	Callout
COVER, FRONT BUMPER		

Part Details:
 Description: COVER, FRONT BUMPER
 Part Number: 5211914917 Callout: 52119A
 Comments: JZ400
 From Date: 05/1993 To Date: 07/1996
 Unit: 311.00 Qty: 1

Body shop - Add parts

The screenshot shows the 'Part Search' interface in the Infomedica TMC Dealer software. The vehicle information is: Supra - JZ400 (NATO) (9003-9008) (291430), Build Date: 05/1993, VIN: JT2JAB1J0P0001451, License Plate: (5) Tool. The part search results table is empty. The part details for 'COVER, FRONT BUMPER' are shown below the table:

Description	Section	Callout
COVER, FRONT BUMPER		

Part Details:
 Description: COVER, FRONT BUMPER
 Part Number: 5211914917 Callout: 52119A
 Comments: JZ400
 From Date: 05/1993 To Date: 07/1996
 Unit: 311.00 Qty: 1

The interface also displays a grid of icons representing different vehicle sections:

- (1) Tool
- (2) Engine
- (3) Fuel & Engine Control
- (4) Drive, Chassis
- (5) Body
- (6) Electrical
- (7) Local Products

Body shop - Order/request quote

Infomedica TMC Dealer | Welcome, Lorenzo Pacer Fast Repairs

Vehicles: Toyota Supra | Build Date: 93 | VIN: JT2AB1J0R0001451 | Body Style: 3D | Color: Red

Invalid Parts

#	OEM P/N	Non-OEM P/N	Description	Intention Type	QTY	MSRP	Est. Price	View	Valid
3	7695114060	7695114060	Replace Aftermarket TOYOTA SUPRA 93-99 F	AM	1	0.00	064.00		
3	7695114060	7695114060	COVER, FRONT SPOILER	AM	1	482.37	364.00		
F 10	9057906143		Replace (2) Front Lower retainer, nut	OEM	1	0.00	1.48		
10	9057906143		HARDWARE ITEM	OEM	1	0.74	1.48		
10	9057906143		HARDWARE ITEM	OEM	1	0.74	1.48		
10	9057906143		HARDWARE ITEM	OEM	1	0.74	1.48		
F 14	5330114340	T3266	Replace Aftermarket 93-97 HOOD	AM	1	0.00	2.00		
14	5330114340	T3266	HOOD SUB-ASSY	AM	1	968.28	2.00		

Valid Parts

#	OEM P/N	Non-OEM P/N	Description	Intention Type	QTY	MSRP	Est. Price	Sell Price	View	Action
1	7211149117	TO1000135R	COVER, FRONT BUMPER	AM	1	311.88	240.00	0.00		Quote
2	5261114120		ABSORBER, FRONT BUMPER ENERGY	OEM	1	56.29	55.67	0.00		Order
4	7695314020		RETAINER, FRONT SPOILER, UPPER RH	OEM	1	40.44	39.93	0.00		Quote
5	7695414020		RETAINER, FRONT SPOILER, UPPER LH	OEM	1	40.44	39.93	0.00		Order
6	7695714030		RETAINER, FRONT SPOILER, SIDE, RH	OEM	1	46.56	45.96	0.00		Order
	7695814030		RETAINER, FRONT SPOILER, SIDE, LH	OEM	1	46.56	45.96	0.00		

MSRP Total: 795.34 | Est Total: 719.31 | Sale Total: 0.00

Order Options: Allow Additional Parts | Add Parts | Print | Save | Send to Dealer

Dealership - View order

Infomedica TMC Dealer | Order Management | Reports

Customer Details: Company: Lorenzo Pacer Fast R, Contact: L. LORENZO PACER, Account # 1 Trade1204, Phone # 61294542800, Estimate # 1302, Date: 2007-01-03, Customer Discount: %

Estimate Vehicle: Make: Toyota, Model: Supra, Model Year: 93, Body Style: 3D, Vehicle Type: , Color: Red, Trim Code: Team Colors, Holding Code:

EPIC Vehicle Details: VIN: JT2AB1J0R0001451, Catalogue: Supra - 2040 (NHTC) (3305-9908) (293430), Build Date: , Model: 32ARBL-ALMYVA, Series: , Body Style: AET LEFTBACK(W/SPORT ROOF) TRIM(L400) 202, Engine: 220E 3000CC 24-VALVE DOHC I71, Transmission: 5F 4MT5-SPEED FLOOR SHIFT, Other: TWC TWIN CAR USA UNITED STATES OF AMERICA

Parts List

Part No.	Description	QTY	Est MSRP	Est WS Price	Stgy Cons Price	Intention	Sale Price	Profit	Funds Earned	View	Status
5211914917	COVER, FRONT BUMPER	1	\$240.00	\$180.00	\$207.00	AM	311.88	\$124.44	\$0.00		Quote
5261114120	ABSORBER, FRONT BUMPER ENERGY	1	\$55.67	\$41.75		OEM	56.29				Order
7695314020	RETAINER, FRONT SPOILER, UPPER RH	2	\$39.93	\$29.95		OEM	48.44				Order
7695414020	RETAINER, FRONT SPOILER, UPPER LH	1	\$39.93	\$29.95		OEM	48.44				Order
7695714030	RETAINER, FRONT SPOILER, SIDE, RH	1	\$45.96	\$34.47		OEM	46.56				Order
7695814030	RETAINER, FRONT SPOILER, SIDE, LH	1	\$45.96	\$34.47		OEM	46.56				Order
7689914010	RETAINER, FRONT SPOILER, UPPER NO.3	1	\$65.85	\$45.14		OEM	69.00				Order
7688114040	RETAINER, FRONT SPOILER, LOWER NO.1	1	\$72.79	\$54.59		OEM	73.74				Order
9057906143	Replace (2) Front Lower retainer, nut	1	\$1.48	\$1.11		OEM	0.00				Order
9151080085	LAMP ASSY, FRONT TURN SIGNAL, RH	1	\$45.48	\$34.11		OEM	45.45				Order
9152080085	LAMP ASSY, FRONT TURN SIGNAL, LH	1	\$45.48	\$34.11		OEM	45.45				Order
3017905088	HARDWARE ITEM	1	\$1.26	\$0.34		OEM	0.83				Order

Total: \$835.98 | Funds Earned: \$8.80 | Cost: \$382.42 | Gross: \$333.55 | Gross %: 39.88%

Order Information: Additional Parts Allowed | Add New Parts | Print | Save | Quote / Send to DMS

Dealership - Change price/view profit

Part No.	Description	QTY	Ext MSRP	Ext MS Price	Sugg Cons Price	Intention	Sale Price	Profit	Funds Earned	Status
5211914917	COVER, FRONT BUMPER	1	\$240.00	\$180.00	\$207.00	AM	\$11.88	\$124.44	\$0.00	Quote
			Toyota MSRP	Toyota MS Price	Toyota Part Cost	% Gross Profit				
			\$211.00	\$211.00	\$197.44	39.90%				
526114120	ABSORBER, FRONT BUMPER ENERGY	1	\$55.07	\$41.75		OEM	\$6.39			Order
7685314020	RETAINER, FRONT SPOILER, UPPER RH	2	\$39.93	\$29.95		OEM	\$8.44			Order
7685414020	RETAINER, FRONT SPOILER, UPPER LH	1	\$29.99	\$29.95		OEM	\$8.44			Order
7685714030	RETAINER, FRONT SPOILER SIDE, RH	1	\$45.96	\$34.47		OEM	\$8.56			Order
7685914030	RETAINER, FRONT SPOILER SIDE, LH	1	\$45.96	\$34.47		OEM	\$8.56			Order
7685954010	RETAINER, FRONT SPOILER, UPPER NO.3	1	\$66.05	\$65.14		OEM	\$8.80			Order
7686114040	RETAINER, FRONT SPOILER, LOWER NO.1	1	\$72.79	\$54.59		OEM	\$18.24			Order
901790143	Replace (2) Front Lever retainers, nuts	1	\$1.40	\$1.11		OEM	\$0.80			Order
8151000085	LAMP ASSY, FRONT TURN SIGNAL, RH	1	\$45.40	\$34.11		OEM	\$11.45			Order

Total: \$833.88 Funds Earned: \$8.80 Costs: \$382.92 Gross: \$331.55 Gross %: 39.90%

Dealership - Go to/replace part

Identify Vehicle: 1 Select Parts: 2

Vehicle: Supra - J2AB0 (NATO) (9305-9808) (291430) Build Date: 05/1993 VIN: J72JAB1J0P0001451 License Plate:

(S) Body (S2.8) FRONT BUMPER and BUMPER STAY (9305-9808)

Description	Section	Callout

Part Details

Description: COVER, FRONT BUMPER

Part Number: 5211914917 Callouts: 52119A

Comments: J2AB0

From Date: 05/1993 To Date: 07/1994

Int: 311.80 Qty: 1

Dealership - Add parts

Dealership - Send to body shop/DMS

Part No.	Description	QTY	Est MSRP	Est MS Price	Sugg Cons Price	Intention	Sale Price	Profit	Funds Earned	View	Status
5211914917	COVER, FRONT BUMPER	1	\$240.00	\$180.00	\$207.00	AM	209.80	\$79.42	\$44.84		Quote
9261144120	ABSORBER, FRONT BUMPER ENERGY	1	\$55.67	\$41.75		OEM	56.38				Order
7685314020	RETAINER, FRONT SPOILER, UPPER RH	2	\$39.93	\$29.95		OEM	49.44				Order
7685414020	RETAINER, FRONT SPOILER, UPPER LH	1	\$39.93	\$29.95		OEM	48.44				Order
7685714030	RETAINER, FRONT SPOILER SIDE, RH	1	\$45.96	\$34.47		OEM	49.56				Order
7685814030	RETAINER, FRONT SPOILER SIDE, LH	1	\$45.96	\$34.47		OEM	46.56				Order
7685914010	RETAINER, FRONT SPOILER, UPPER NO.2	1	\$86.05	\$65.14		OEM	87.80				Order
7686114040	RETAINER, FRONT SPOILER, LOWER NO.1	1	\$72.79	\$54.53		OEM	73.74				Order
9017906143	Replace (2) Front Lever Retainer, nut	1	\$1.46	\$1.11		OEM	0.80				Order
8151080085	LAMP ASSY, FRONT TURN SIGNAL, RH	1	\$45.48	\$34.11		OEM	45.45				Order
8152080085	LAMP ASSY, FRONT TURN SIGNAL, LH	1	\$45.48	\$34.11		OEM	45.45				Order
9017905088	HARDWARE ITEM	1	\$1.26	\$0.94		OEM	0.43				Order

Body shop - Accepts quote

Infomedia TMC Dealer

Vehicle: Toyota Supra Build Date: 93 VIN: JT2AB10R0001491 Body Style: 3D Color: Red

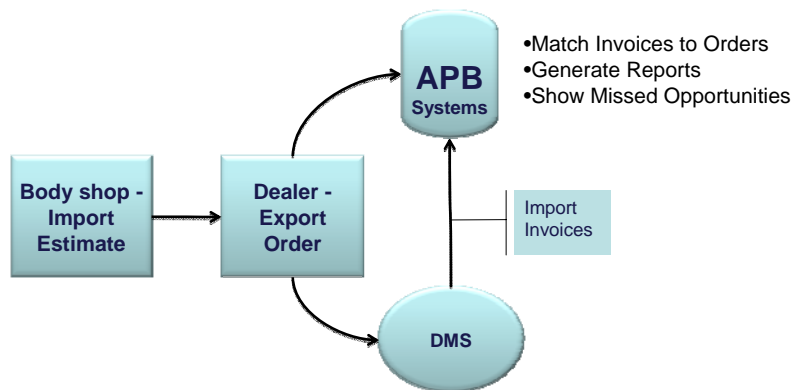
#	OEM P/N	Non-OEM P/N	Description	Extension Type	QTY	MSRP	Est. Price	Sell Price	View	Action
1	521141417	T010001358	COVER, FF	AM	1	311.88	240.00	260.00		Quote
2	5261114120		ABSORBER	OEM	1	56.39	55.67	56.39		Order
3	7685114040	7685114040	COVER, FF	AM	1	482.37	364.00	482.37		Quote
4	7685114020		RETAINER	OEM	1	40.44	39.93	40.44		Quote
5	7685114020		RETAINER	OEM	1	40.44	39.93	40.44		Quote
6	7685114030		RETAINER	OEM	1	44.56	45.96	46.56		Quote
7	7685114030		RETAINER	OEM	1	44.56	45.96	46.56		Quote
8	7685114020		RETAINER	OEM	1	88.00	86.95	88.00		Quote
9	7686114040		RETAINER	OEM	1	73.74	72.79	73.74		Quote
10	9017906143		HARDWAR	OEM	1	0.74	1.48	0.74		Quote
11	8151000085		LAMP ASS	OEM	1	45.45	45.40	45.45		Quote
12	8152000085		LAMP ASS	OEM	1	45.45	45.40	45.45		Quote
13	9017903088		HARDWAR	OEM	1	0.43	1.26	0.43		Quote
14	5300114340	T3266	HOOD SLE	AM	1	968.28	2.00	968.28		Quote

MSRP Total: 2249.93 Est Total: 1888.79 Sale Total: 2335.05

Order Options: Allow Additional Parts Add Parts Print Save Send to Dealer



Summary – process flow of APB



PILOT MARKET AREAS



Infomedia®